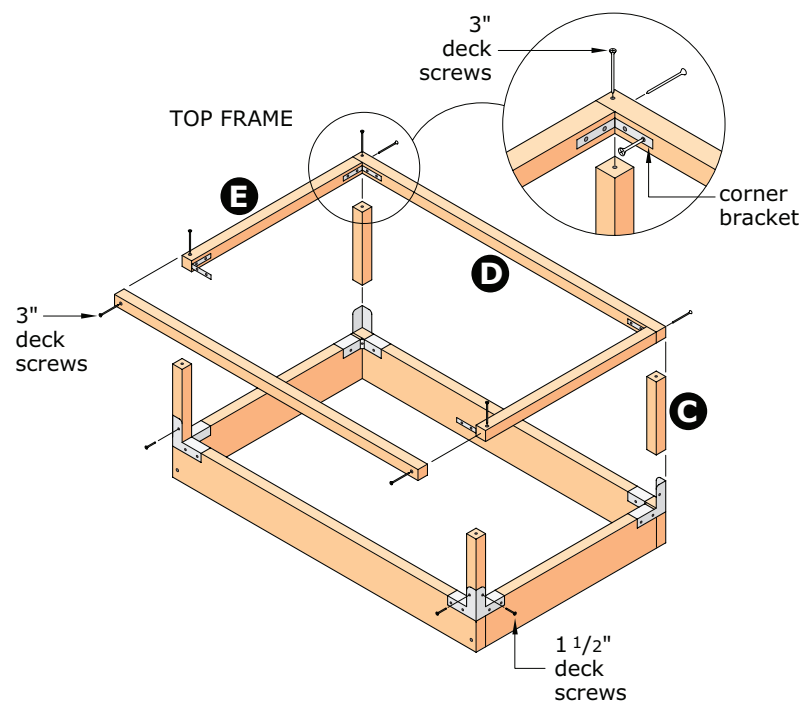
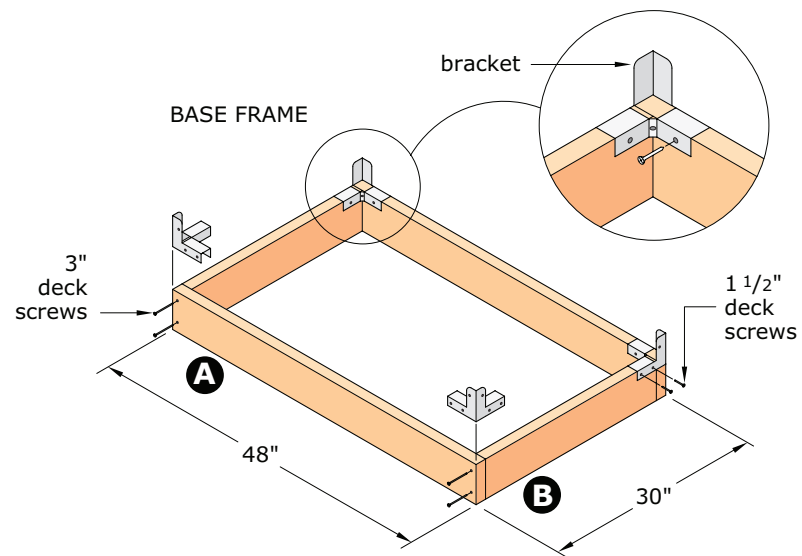
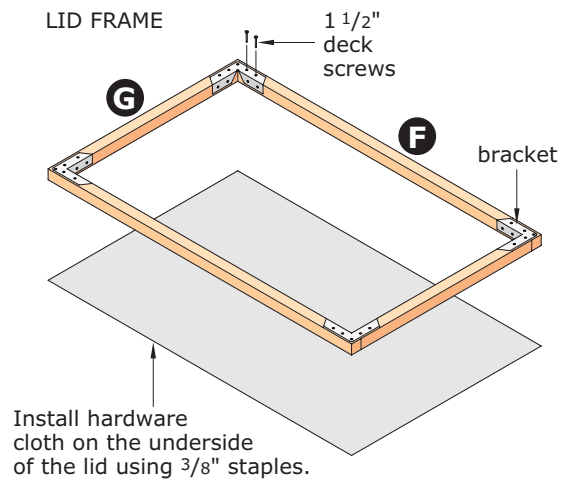


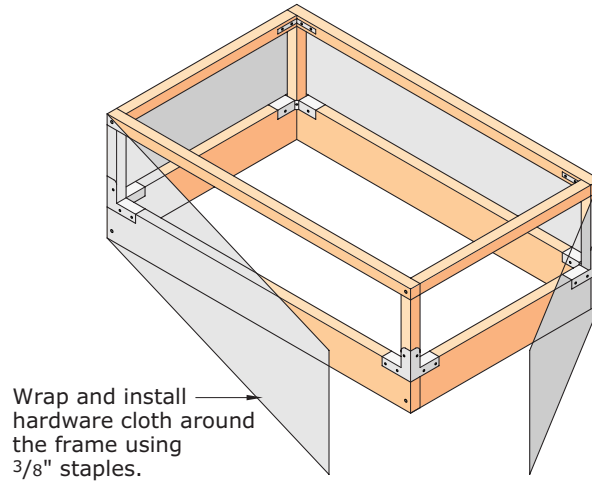
PARTS

- A** base - front & back pieces - (2) 2 x 6 x 48"
- B** base - side pieces - (2) 2 x 6 x 27"
- C** corner pieces - (4) 1 1/2" x 1 1/2" x 10" (cut from 2 x 4 cedar)
- D** top - front & back pieces (2) 1 1/2" x 1 1/2" x 48" (cut from 1 x 6 cedar)
- E** top - side pieces (2) 1 1/2" x 1 1/2" x 27" (cut from 1 x 6 cedar)
- F** lid - front & back pieces (2) 1 1/2" x 1 1/2" x 48" (cut from 1 x 6 cedar)
- G** lid - side pieces (2) 1 1/2" x 1 1/2" x 27" (cut from 1 x 6 cedar)

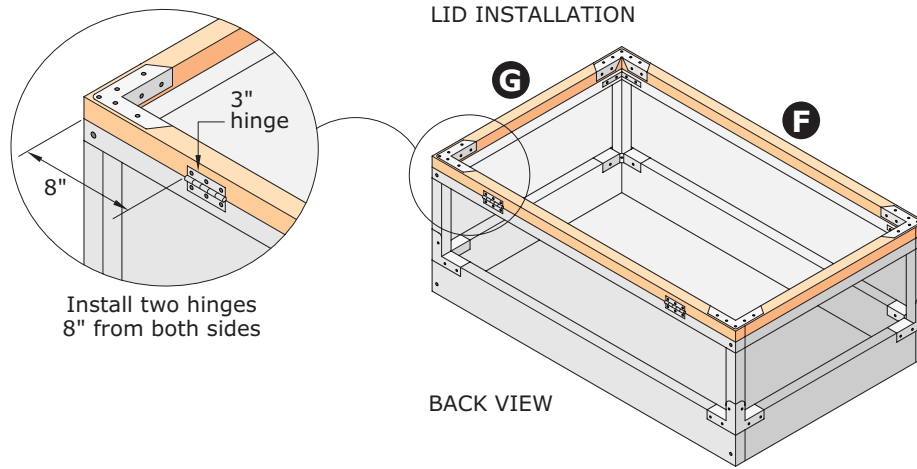




HARDWARE CLOTH INSTALLATION



LID INSTALLATION



CHAIN & HANDLE INSTALLATION

